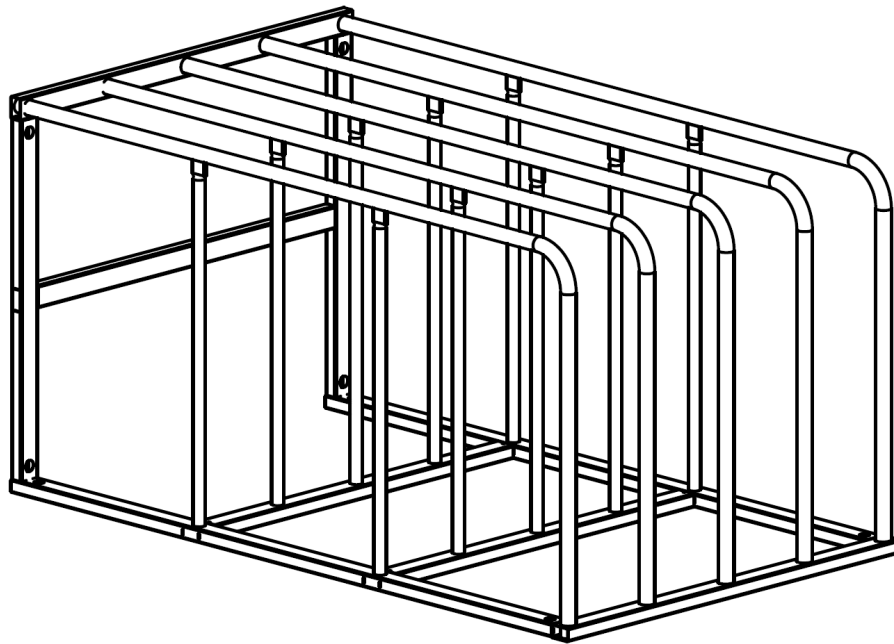




Vestil Manufacturing Corp.  
 2999 North Wayne Street, P.O. Box 507, Angola, IN 46703  
 Telephone: (260) 665-7586 -or- Toll Free (800) 348-0868  
 Fax: (260) 665-1339  
 Website: [www.vestilmfg.com](http://www.vestilmfg.com) e-Mail: [info@vestil.com](mailto:info@vestil.com)

# VSSR-Series Sheet Rack



### Receiving Instructions

After delivery, remove the packaging from the product. Inspect the product closely to determine whether it sustained damage during transport. If damage is discovered, record a complete description of it on the bill of lading. If the product is undamaged, discard the packaging.

**NOTE:** The end-user is solely responsible for confirming that product design, use, and maintenance comply with laws, regulations, codes, and mandatory standards applied where the product is used.

### Technical Service & Replacement Parts

For answers to questions not addressed in these instructions and to order replacement parts, labels, and accessories, call our Technical Service and Parts Department at (260) 665-7586. The department can also be contacted online at <https://www.vestil.com/page-parts-request.php>.

### Electronic copies of Instruction Manuals

Additional copies of this instruction manual may be downloaded from <https://www.vestil.com/page-manuals.php>.

Table of Contents		Page
Signal Words.....		2
Safety Instructions.....		2
Specifications.....		3
Installation.....		4
Loading the Rack.....		4
Record of Satisfactory Condition.....		4
Inspections & Maintenance.....		5
Labeling Diagram.....		6
Limited Warranty.....		7

## SIGNAL WORDS

This manual uses SIGNAL WORDS to indicate the likelihood of personal injuries, as well as the probable seriousness of those injuries, if the product is misused in the ways described. Other signal words call attention to uses of the product likely cause property damage. The signal words used appear below along with the meaning of each word

- ⚠ DANGER** Identifies a hazardous situation which, if not avoided, **WILL** result in DEATH or SERIOUS INJURY. Use of this signal word is limited to the most extreme situations.
- ⚠ WARNING** Identifies a hazardous situation which, if not avoided, **COULD** result in DEATH or SERIOUS INJURY.
- ⚠ CAUTION** Indicates a hazardous situation which, if not avoided, **COULD** result in MINOR or MODERATE injury.
- NOTICE** Identifies practices likely to result in product/property damage, such as operation that might damage the product.

## SAFETY INSTRUCTIONS

Vestil strives to identify foreseeable hazards associated with the use of its products. However, no manual can address every conceivable risk. The most effective way to avoid injury is to exercise sound judgment when assembling, using, inspecting, and maintaining this product. **Keep a copy of this manual with the product at all times.** For example, put a copy inside a plastic pouch and attach the pouch to the frame. **Anyone who uses this product must be made aware that a copy of the manual is available and where to find it.**

- ⚠ WARNING** If this product is assembled, installed, or used improperly, serious personal injuries might result.
- **DO NOT install, load, inspect or maintain the rack until you read and understand this entire manual.** Keep a copy of this manual in a location known to all persons who use the rack. It must be available for users to read whenever desired.
  - DO inspect the rack as directed in [INSPECTIONS & MAINTENANCE](#) on p. 5. DO NOT use the product unless it is in satisfactory condition. ONLY use manufacturer-approved replacement parts.
  - DO NOT store materials that extend more than a few inches beyond the confines of the rack.
  - DO NOT use the rack UNLESS it is securely anchored to the ground.
  - DO NOT exceed the capacity of the rack. Each bay (total 4) of the rack can hold up to 1,500 pounds (681.8kg). Capacity information appears on label 1153. See [LABELLING DIAGRAM](#) on p. 6.
  - DO install this rack on even, level surfaces.
  - DO NOT remove or obscure any label. All product labels must be readable and undamaged.
  - DO NOT climb on the rack.
  - DO NOT modify the rack in any way. Unauthorized modifications automatically void the [LIMITED WARRANTY](#) on p. 7 and might make the rack unsafe to use.

- NOTICE** Regular inspections and maintenance are essential for this product to function properly and to last as long as possible.
- Always use this product in accordance with the instructions in this manual.
  - Keep the rack clean & dry.

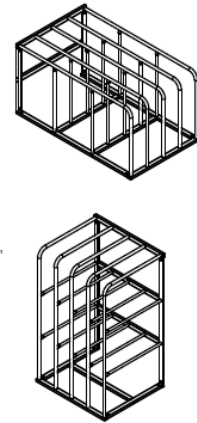
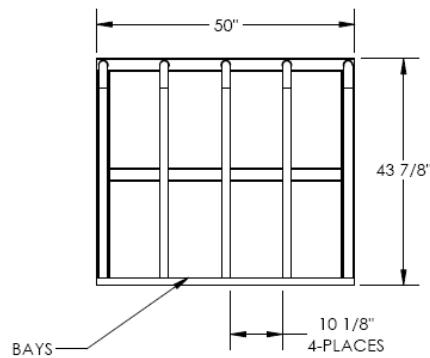
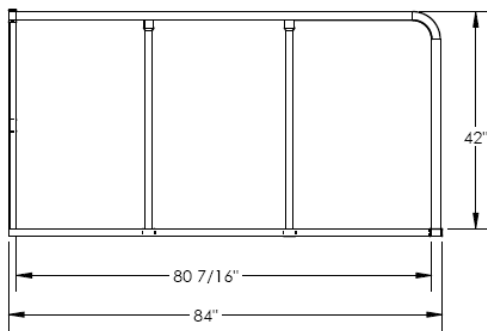
## SPECIFICATIONS (31-007-005)

Specifications for VSSR-15 drum rollers are provided on Vestil's website. To access the appropriate specifications document, navigate to this webpage: <https://www.vestil.com/product.php?FID=1104>. Click the "Specifications" tab. Scroll the page to the entry for the model you purchased, and click the button in the PDF column that looks like a pencil inside a blue box. A PDF file will open. This file is the specifications document. Print a copy of the document and keep it with your copy of this manual. The following is an exemplar specifications document for model VSSR-15.

### STANDARD SHEET RACK - VSSR-15

APPROX WEIGHT: 258.94 lbs.  
DOES NOT INCLUDE WEIGHT OF POWER OR PACKAGING!!!

\*\*\* ANY ADDITIONS, DELETIONS, OR OMISSIONS MUST BE CORRECTED ON THIS DRAWING AS THIS DRAWING WILL BE CONSIDERED ALL INCLUSIVE \*\*\*  
ALL GRAPHICS PROVIDED ARE FOR REFERENCE ONLY. IF CERTAIN DIMENSIONS ARE CRITICAL PLEASE VERIFY THOSE DIMENSIONS WITH YOUR SALESPERSON



3-D SHOWN FOR REFERENCE ONLY

#### STANDARD FEATURES

- MODEL NUMBER IS VSSR-15
- CAPACITY IS 1,500 LBS PER BAY
- OVERALL WIDTH: 50"
- USABLE BAY WIDTH: 10 1/8"
- OVERALL HEIGHT: 43 13/16"
- USABLE BAY HEIGHT: 42"
- OVERALL LENGTH: 84"
- USABLE BAY LENGTH: 84"
- NUMBER OF BAYS: 4
- TOUGH BAKED IN POWDER COATED BLUE FINISH

#### SPECIAL FEATURES

NONE

DIMENSION TOLERANCE ± 1/4"

<b>APPROVAL</b>	I, THE UNDERSIGNED, AGREE THAT THE PRODUCT AS REPRESENTED SATISFIES DESIGN AND DIMENSION REQUIREMENTS. I ALSO ACKNOWLEDGE MY DUTY TO CONFIRM PRODUCT AND INSTALLATION COMPLIANCE WITH ALL APPLICABLE FEDERAL, STATE AND LOCAL REGULATIONS AND STANDARDS.	
	<b>UNITS REQUIRING APPROVAL DRAWINGS OR MODIFIED ARE NON-RETURNABLE</b>	
	[ ] As drawn [ ] As marked	
	Signed: _____	Date: _____
	Printed Name: _____	

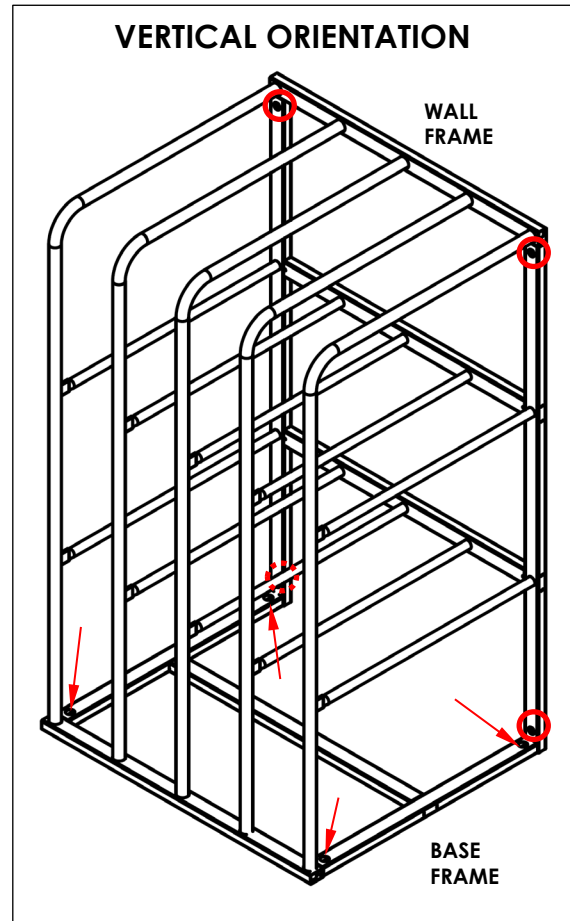
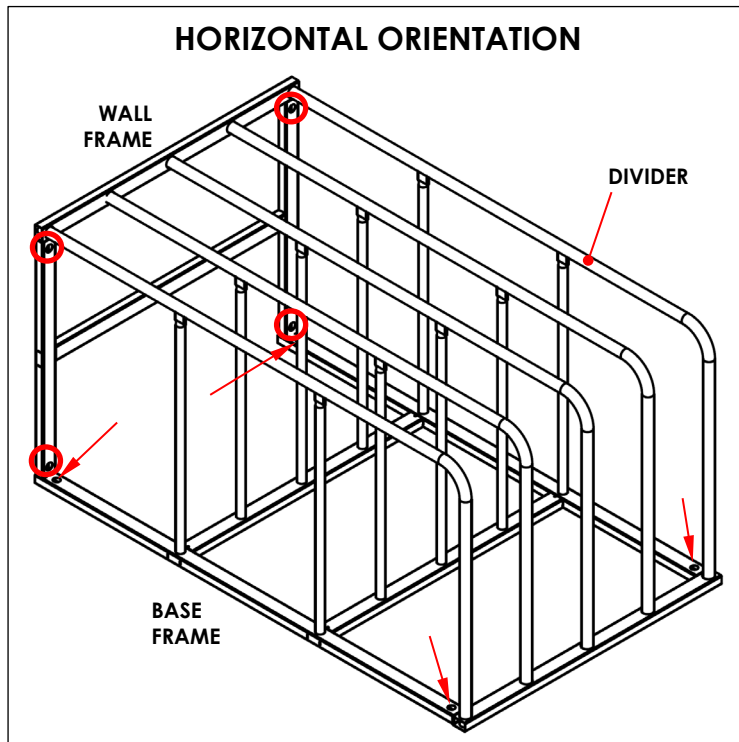
LEAD TIME WILL START UPON RECEIPT OF SIGNED APPROVAL DRAWING

DISTRIBUTOR'S NAME: <b>VESTIL MANUFACTURING</b>		P.O.# X
DRAWN BY:		W.O.# X
DATE:		SALES: X
REFERENCE: X	SCALE: 1:24	FILE NAME:
QUOTED LEAD TIME: X	QUOTE # X	31-007-005

## INSTALLATION

This storage rack can be installed in either a horizontal or vertical orientation.

- 1) Select the installation site and set the rack in place.
- 2) Mark the floor with the locations of the 4 bolt holes in the base frame. Bolt holes are designed for 1/2"-14 x 4" (L) anchor bolts.
- 3) Move the rack out of the way. Drill holes in the marked locations of appropriate size to accept the selected anchors. Follow the installation instructions for the anchor bolts (circled).
- 4) Once anchors are installed, move the rack back into place and align the bolt holes in the frame with the anchors in the floor. Install the anchor bolts as instructed. Confirm that the rack is solidly attached to the floor.
- 5) If the unit is placed against a wall, it can also be fastened to the wall through 4 holes in the wall frame. Select appropriate fasteners for the wall material and install fasteners in all 4 locations (arrows).



## LOADING THE RACK

Distribute loads evenly on the rack. Each bay can hold up to 1,500 pounds. Sheet material loaded on the rack should not extend more than a few inches beyond the length or width of its bay (space between adjacent dividers).

## RECORD OF SATISFACTORY CONDITION (THE "RECORD")

Thoroughly inspect the rack after anchoring it to the ground and before putting it into service. Record the condition and appearance of each of the bay dividers, the base frame, and all welds and anchoring fasteners. Thoroughly photograph the rack from multiple angles. Include close range photographs of all labels and anchor bolts. Measure distances between dividers. Mark the dividers to show where the measurements were taken. Record your measurements. Collect photographs and writings in a file. This file is a record of the rack in *SATISFACTORY CONDITION*.

## INSPECTIONS & MAINTENANCE

### NOTICE

Regular use, maintenance, and storage are essential for this product to function properly for as long as possible.

- Use this product only as instructed in this manual.
- Keep the product clean & dry.

Compare inspection results to the [RECORD](#). Do not continue using the rack unless it is in [SATISFACTORY CONDITION](#). **DON'T GUESS! If you have any questions about the condition of your VSSR-15, contact the [TECHNICAL SERVICE](#) department.** The phone number is provided on the cover page of this manual. *Never make temporary repairs of damaged or missing parts.* Cosmetic changes, like damaged paint/powder coat are changes from satisfactory condition. However, touchup paint should be applied to all affected areas as soon as damage occurs. Exposed metal rusts. Rusting could degrade the structural integrity of the metal if rusting becomes significant.

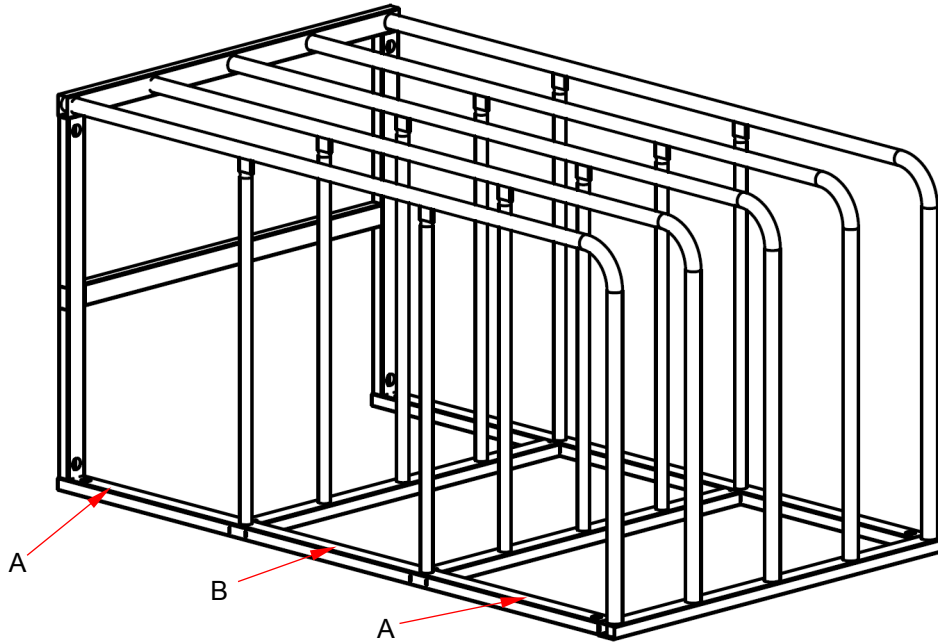
Inspect the following at least once per month:

1. Surfaces – Check all surfaces of the rack for dirt or other matter and water or other fluids. Clean all surfaces. Examine the whole structure for rusting, metal erosion, rot, or thinned regions. In particular, examine the areas around bolt holes for rusting and corrosion. If rusting is purely superficial, remove it. Clean the affected area and apply touchup paint. If rusting, rot, or thinning has weakened the material, contact [TECHNICAL SERVICE](#) for advice.
2. Anchor bolts & wall fasteners – Examine each of the anchor bolts and wall fasteners (if applicable) for corrosion, rusting, wear, and other damage. Each bolt should be solidly fastened to the floor. Each wall fastener must be tight. Tighten loose bolts and wall fasteners. The rack must be solidly attached to the floor and must not wobble. Replace fasteners, bolts, and anchors as necessary.
3. Dividers – Measure distances between dividers. Measure distances in the same places as the measurements taken in the [RECORD](#). Confirm that distances are unchanged. Examine welds at the base of each leg of each divider. Each divider must be solidly welded to the base frame. Welds must not be rusted, cracked, or otherwise degraded. Dividers must not be cracked, deformed, or loose.
4. Labels – Replace missing and/or damaged labels. All labels should be easily readable from a reasonable distance.

## LABELING DIAGRAM

Label content and location are subject to change so your product might not be labeled exactly as shown. Compare the diagram below to your [RECORD OF SATISFACTORY CONDITION](#). Contact [TECHNICAL SERVICE](#) if there are any differences between actual labeling and this diagram.

Replace all labels that are damaged, missing, or not easily readable (e.g. faded). To order replacement labels or to inquire whether your unit is properly labeled, contact the technical service and parts department online at <https://www.vestil.com/page-parts-request.php> or by calling (260) 665-7586 and asking for the Parts Department.



A: Label 204

▲ WARNING	▲ ADVERTENCIA	▲ AVERTISSEMENT
SECURE FRAME TO FLOOR	ASEGURE EL BASTIDOR AL PISO	FIXER SOLIDEMENT LE CADRE AU PLANCHER
		204 Rev 11/19

B: Label 1153

MODEL / MODÉLO / MODÈLE _____
WEIGHT / PESO / MASS _____
CAPACITY / CAPACIDAD / CAPACITÉ _____
SERIAL / SERIE / SÉRIE _____
UNITS: 2.2 lb. = 1kg      1" (or 1in.) = 2.54cm <b>1153</b>

## LIMITED WARRANTY

Vestil Manufacturing Corporation ("Vestil") warrants this product to be free of defects in material and workmanship during the warranty period. Our warranty obligation is to provide a replacement for a defective, original part covered by the warranty after we receive a proper request from the Warrantee (you) for warranty service.

### Who may request service?

Only a warrantee may request service. You are a warrantee if you purchased the product from Vestil or from an authorized distributor AND Vestil has been fully paid.

### Definition of "original part"?

An original part is a part used to make the product as shipped to the Warrantee.

### What is a "proper request"?

A request for warranty service is proper if Vestil receives: 1) a photocopy of the Customer Invoice that displays the shipping date; AND 2) a written request for warranty service including your name and phone number. Send requests by one of the following methods:

#### US Mail

Vestil Manufacturing Corporation  
2999 North Wayne Street, PO Box 507  
Angola, IN 46703

#### Fax

(260) 665-1339  
Phone  
(260) 665-7586

#### Email

[info@vestil.com](mailto:info@vestil.com)  
Enter "Warranty service request"  
in subject field.

In the written request, list the parts believed to be defective and include the address where replacements should be delivered. After Vestil receives your request for warranty service, an authorized representative will contact you to determine whether your claim is covered by the warranty. Before providing warranty service, Vestil will require you to send the entire product, or just the defective part (or parts), to its facility in Angola, IN.

### What is covered under the warranty?

The warranty covers defects in the following original, dynamic parts: motors, hydraulic pumps, motor controllers, and cylinders. It also covers defects in original parts that wear under normal usage conditions ("wearing parts"), such as bearings, hoses, wheels, seals, brushes, and batteries.

### How long is the warranty period?

The warranty period for original dynamic components is 90 days. For wearing parts, the warranty period is 90 days. Both warranty periods begin on the date Vestil ships the product to the Warrantee. If the product was purchased from an authorized distributor, the periods begin when the distributor ships the product. Vestil may, at its sole discretion, extend a warranty period for products shipped from authorized distributors by up to 30 days to account for shipping time.

### If a defective part is covered by the warranty, what will Vestil do to correct the problem?

Vestil will provide an appropriate replacement for any covered part. An authorized representative of Vestil will contact you to discuss your claim.

### What is not covered by the warranty?

The Warrantee (you) is responsible for paying labor costs and freight costs to return the product to Vestil for warranty service.

### Events that automatically void this Limited Warranty.

- Misuse;
- Negligent assembly, installation, operation or repair;
- Installation/use in corrosive environments;
- Inadequate or improper maintenance;
- Damage sustained during shipping;
- Collisions or other accidents that damage the product;
- Unapproved modifications: Do not modify the product IN ANY WAY without first receiving written authorization from Vestil.

### Do any other warranties apply to the product?

Vestil Manufacturing Corp. makes no other express warranties. All implied warranties are disclaimed to the extent allowed by law. Any implied warranty not disclaimed is limited in scope to the terms of this Limited Warranty. Vestil makes no warranty or representation that this product complies with any state or local design, performance, or safety code or standard. Noncompliance with any such code or standard is not a defect in material or workmanship.

